

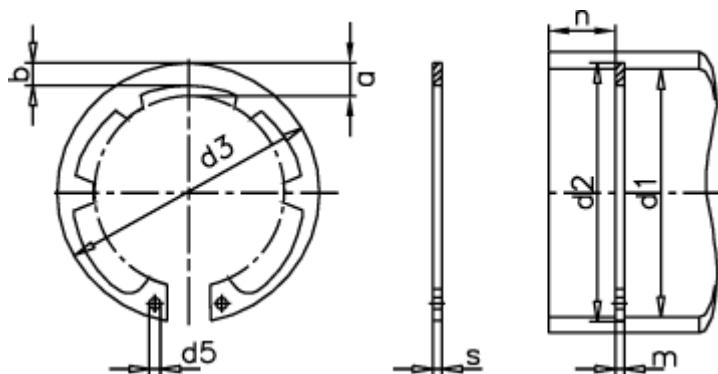
Data Sheet



Article number: 0108083

Description: Retaining ring JK 72 DIN 984

Measures



a max	= 10.2	FN kN	= 58.0	s	= 2.50
AN mm ²	= 346.0	FRg kN	= 21.0	t	= 1.50
b	= 6.4	FR kN	= 119.0	tol	= +0,30
d1	= 72	g	= 2.5	tol	= -0.07
d2	= 75.0	K kN-mm	= 217.0	tol	= +1,10-0,46
d3	= 76.5	m min	= 2.65	Tong	= ZGJ-3
d5 min	= 3.0	Nominal drive	= 4.5	Weight kg/1000	= 21.20
Description	= JK 72	Number of serrations	= 8		